

# TRANSFORMERS AND COILS

Transformer VA Rating of PCB Mountable Transformers

Type	Stack inches	Stack A	Foot print Length B	Foot Print Breadth C	Height Without pins D	Mounting Type	Pin Pitch Width	Row Pitch Length	Pins in a row	VA Rating
El-19	1/4"	6.35	19.0	17	15	Vertical	5.08	12.0	3	
32	1/4"	6.35	25.0	20	20	Vertical	12.0	15.0	2	
32	1/2"	12.7	25.0	26	20	Vertical	13.0	19.0	2	
El-28	1/2"	12.7	28.0	34	25	Vertical	5.08	20.0	3	0.6
El-28	5/8"	15.9	28.0	34	25	Vertical	5.08	20.0	3	0.9
El-28	5/8"	15.9	25.0	28	26	Horizontal	5.08	20.0	5	0.9
El-35	1/2"	12.7	35.0	30	32	Horizontal	5.08	23.3	5	2.0
El-35	5/8"	15.9	35.0	30	36	Horizontal	5.08	23.3	5	2.7
17	1/2"	12.7	38.1	32	30	Horizontal	5.08	23.3	5	2.0
17	5/8"	15.9	38.1	32	33	Horizontal	5.08	23.3	5	2.5
12A	5/8"	15.9	48.0	40	35	Horizontal	5.08	27.6	6	3.0
12A	3/4"	19.1	48.0	40	38	Horizontal	5.08	27.6	6	3.5
12A	1"	25.4	48.0	40	45	Horizontal	5.08	27.6	6	5.0
74	1 1/6"	17.5	53.0	44	40	Horizontal	5.08	29.2	6	6.0
23	3/4"	19.1	57.0	48		Horizontal	5.08	38.1	8+7	9.0

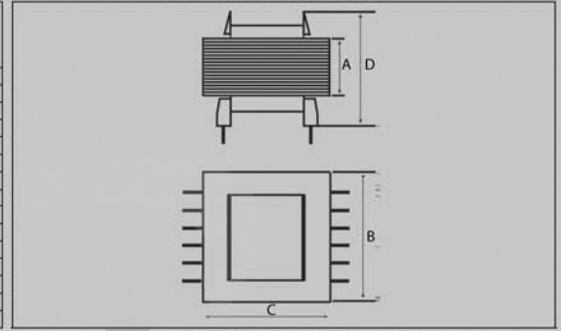
Transformer VA Rating of U Clamp Mountable Transformers

Type	Stack in inches	Stack In mm	Bracket End-End A	Foot Print Length B	Foot Print Breadth C	Mounting Pitch D	Height E	VA Rating
17	1/2"	12.7	62	40	30	50	34	2.0
17	3/4"	19.1	62	40	36	50	34	2.5
12A	5/8"	15.9	75	51	35	63	45	3.0
12A	3/4"	19.1	75	51	38	63	45	3.5
12A	1"	25.4	75	51	42	63	45	5.0
74	1 1/6"	17.5	80	55	38	67	48	6.0
74	1"	25.4	80	55	45	67	48	9.0
23	3/4"	19.1	88	60	41	75	53	9.0
23	1"	25.4	88	60	47	75	53	10.0
23	1 1/4"	31.8	88	60	53	75	53	14.0
23	1 1/2"	38.1	88	60	60	75	53	16.0
30		20.0	90	64	45	76	54	10.0
30		27.0	90	64	53	76	54	12.0
30		30.0	90	64	55	76	54	14.0
30		40.0	90	64	66	76	54	18.0

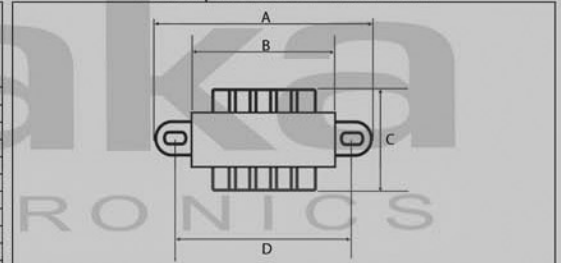
Transformer VA Rating of Bracket Mountable Transformers

Type	Stack in inches	Stack In mm	Length A	Breadth B	Height with L Clamps C	D	Height with C Clamps E	F	Pitch Length G	Pitch Breadth H	VA Rating
30		20.0	60.0	57.6	52.5	56.0	50.0	44.0			10
30		27.0	60.0	64.6	52.5	56.0	50.0	51.0			12
30		30.0	60.0	67.6	52.5	56.0	50.0	54.0			14
30		34.0	60.0	71.6	52.5	56.0	50.0	58.0			16
30		40.0	60.0	77.6	52.5	56.0	50.0	64.0			18
45	7/8"	22.0	66.6	60.0	57.0	61.0	55.5	46.0			20
45	1 1/4"	32.0	66.6	70.0	57.0	61.0	55.5	56.0			25
45	1 1/2"	38.0	66.6	76.0	57.0	61.0	55.5	62.0			30
15	3/4"	19.0	76.2	58.6	65.8	70.0	63.5	42.0			25
15	1"	25.4	76.2	65.0	65.8	70.0	63.5	48.4			30
15	1 1/4"	32.0	76.2	71.6	65.8	70.0	63.5	55.0			35
15	1 1/2"	38.0	76.2	77.6	65.8	70.0	63.5	61.0			40
15	1 3/4"	45.0	76.2	84.6	65.8	70.0	63.5	68.0			45
15	2"	50.8	76.2	90.4	65.8	70.0	63.5	73.8			50
33	Sq.	28.0	84.0	70.0	73.0	80.0	70.0	51.0			35
33	1 1/4"	32.0	84.0	74.0	73.0	80.0	70.0	55.0			40
33	1 1/2"	38.0	84.0	80.0	73.0	80.0	70.0	61.0			48
33	2"	50.8	84.0	92.8	73.0	80.0	70.0	73.8			55
3	1 1/4"	31.8	96.0	76.5	83.0	88.0	80.0	55.7			80
3	1 1/2"	38.1	96.0	82.9	83.0	88.0	80.0	62.1			95
3	1 3/4"	44.5	96.0	89.2	83.0	88.0	80.0	68.4			110
3	2"	50.8	96.0	95.6	83.0	88.0	80.0	74.8			130
3	2 1/2"	63.5	96.0	108.3	83.0	88.0	80.0	87.5			160
16	1 1/2"	38.1	114.0	93.5	99.0	105.0	95.0	68.1			170
16	1 3/4"	44.5	114.0	99.8	99.0	105.0	95.0	74.4			220
16	2"	50.8	114.0	106.2	99.0	105.0	95.0	80.8			270
16	2 1/2"	63.5	114.0	118.9	99.0	105.0	95.0	93.5			300
16	3"	76.2	114.0	131.6	99.0	105.0	95.0	106.2			350
6	1 1/2"	38.1	127.0	102.3	119.0	128.0	108.0	70.1			200
6	1 3/4"	44.5	127.0	108.6	119.0	128.0	108.0	76.4			250
6	2"	50.8	127.0	115.0	119.0	128.0	108.0	82.8			300
6	2 1/2"	63.5	127.0	127.7	119.0	128.0	108.0	95.5			350
6	3"	76.2	127.0	140.4	119.0	128.0	108.0	108.2			400
43	2"	50.8	153.0	116.2	130.0	140.0	127.0	82.8			450
43	2 1/2"	63.5	153.0	128.9	130.0	140.0	127.0	95.5			600
43	3"	76.2	153.0	141.6	130.0	140.0	127.0	108.2			700
43	4"	101.6	153.0	167.0	130.0	140.0	127.0	133.6			900
8	2"	50.8	184.0	130.8	180.0	192.0	159.0	99.2			600
8	2 1/2"	63.5	184.0	143.5	180.0	192.0	159.0	111.9			750
8	3"	76.2	184.0	156.2	180.0	192.0	159.0	124.0			850
8	4"	101.6	184.0	181.6	180.0	192.0	159.0	150.0			1100
8B	3"	76.2	235.0	158.2	205.0	215.0	197.0	118.6			2500
8B	4"	101.6	235.0	183.6	205.0	215.0	197.0	144.0			4000
8B	5"	127.0	235.0	209.0	205.0	215.0	197.0	169.4			5000

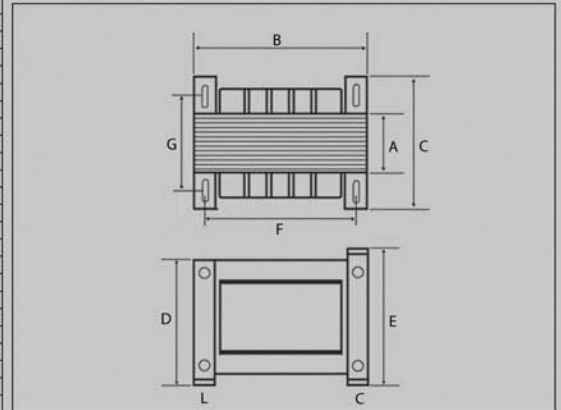
PCB Mountable Transformer



U Clamp Mountable Transformer



Bracket Mountable Transformer



Specifications are for reference and are subject to change.

All dimensions in mm.